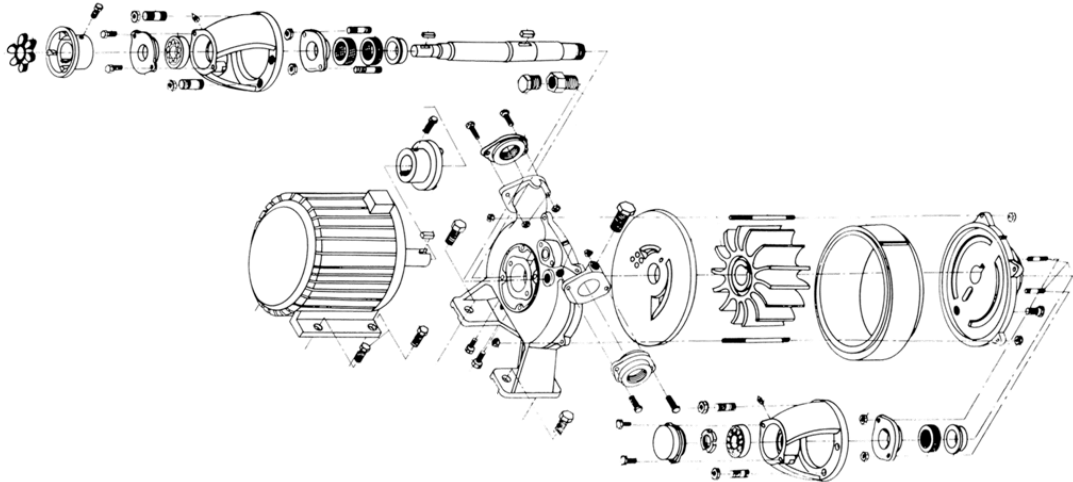




Zoufan Technical- Engineering Services has started producing of vacuum pumps in 1372 (1993) from German example by reverse engineering techniques under a brand known as Jaazem Machine.



Fortunately because of good response from industrial costumers, the enterprise developed its activities in this spectrum and now these pumps are manufactured in three sizes and two general and anti acid types.

Pump Capacities:

SIZE	Suction	Power		Suction	Motor	Weight (Kg)
	Capacity (m ³ /h)	KW	hp	pressure (KPa)	Speed (RPM)	
30	30	2.2	3	21	1400	140
40	40	2.2	3	30	2850	43
70	70	4	5.5	21	1400	160
110	110	5.5	7.5	21	1400	194
110	110	7.5	10	21	1400	198



Operation:

All pumps are water circulation type and for more suction and more efficiency and lower cost can use liquids like Gasoil and Oil.

Material:

All pumps casings are essentially made from grey cast iron and shafts from stainless steel.

- In anti acid pumps all parts are made from non magnet steel.
- In 30, 70 and 110 models are used two row ball bearings.
- All seals are made from graphite-asbestos strings which can be replaced without opening the pump.

Guarantee:

- All mechanical parts are guaranteed for 2 years.
- After sale services are provided for minimum 10 years.
- Each pump has individual serial number and date of manufacturing delivered accompanying maintenance manual.